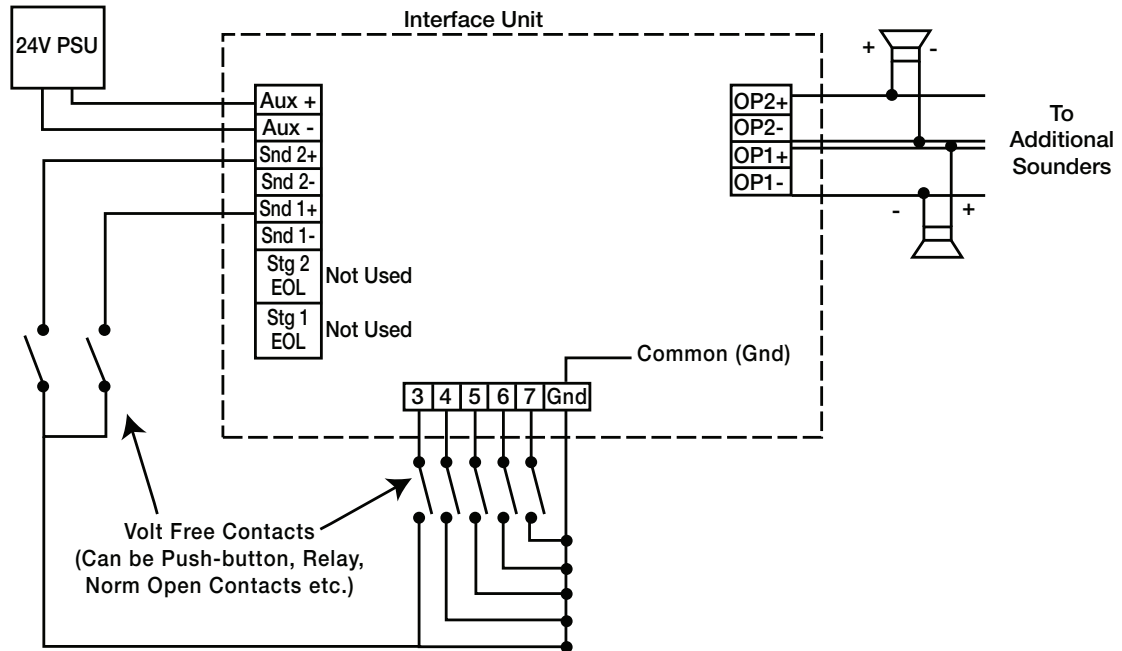


Industrial 2-Wire Interface System



Installation

- The interface uses seven dedicated volt-free inputs to enable control of up to seven different messages in Klaxon's Voice Enhanced Sounders via a simple two-core cable.
- The interface requires an external 24V DC power supply. The supply must be sufficiently rated to power all the sounders connected to the output of the interface.
- Up to 7 volt-free activated inputs can be connected to SND1+, SND2+ and terminals 3,4,5,6,7 in the interface unit. (SND1- and SND2- have no function and should not be connected)
- The Voice-Enhanced sounders are then connected to the '+O/P1-' and/or '+O/P2-' terminals of the controller.

Message activation:

- The pre-programmed messages are activated by applying a closed contact such as a pushbutton or relay to the appropriate inputs.
- The message will play on a continuously repeating loop until the contact is re-opened. Nexus Sounders can be pre-programmed to only play the message once by setting the alerting tone to Tone 64. See the programming guide on the CD supplied with the sounder for details.

Technical Specification

Supply Voltage Range	17-28V DC
Total Sounder Load	1A Max per output
Current	45mA (active alarm), 16mA (quiescent)
Remote Tone Switching	Up to 7 pre-programmed messages
Operating Temperature	- 25°C to +70°C
Casing	Polycarbonate

