

## Nexus Sounder (DC)

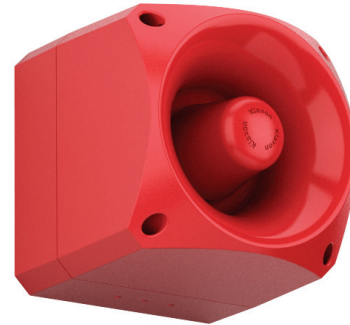
This high output sounder is designed for industrial applications.

Connections are made to the base during the initial wiring phase which results in faster and more reliable installation. In addition, the head is fixed by quarter turn fasteners enabling faster installation and accurate seal compression for weatherproofing.

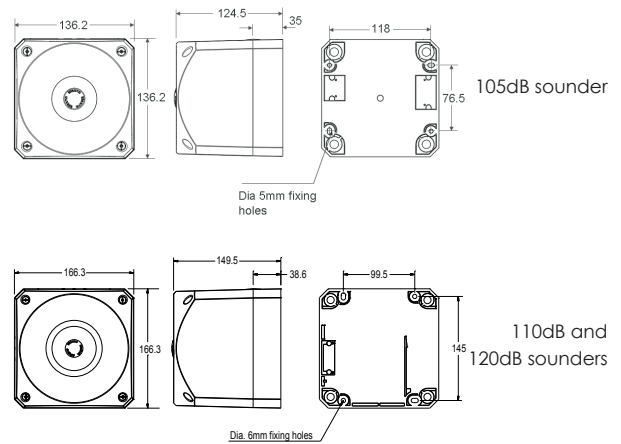
IP66 as standard means that Nexus can be installed in almost any location.

### Features

- Three alarm stages
- First-fix, wire to base technology
- IP66 rated
- Volume control for greater flexibility - 20dB
- 64 tones



**Applications** - Fire alarm; conveyors; process control alarm; cranes; moving machinery; general signalling



### Specifications

Part No.	Description	Audibility at 1m	Tones	Voltage	Current (tone dependent)
PNS-0001	Nexus 105	Up to 113dB (A)	64	10-60V DC	8-40mA
PNS-0013	Nexus 110	Up to 116dB (A)	64	10-60V DC	10-50mA
PNS-0005	Nexus 120	Up to 120dB (A)	64	10-60V DC	120-550mA

**IP Rating:** IP66 **Operating Temp:** -25°C to +70°C **Cable Entries:** 5 **Weight:** 105dB Sounder - 0.7kg; 110dB Sounder - 1.1Kg; 120dB Sounder - 1.8Kg  
**Compliance:** EN54-3 Type B